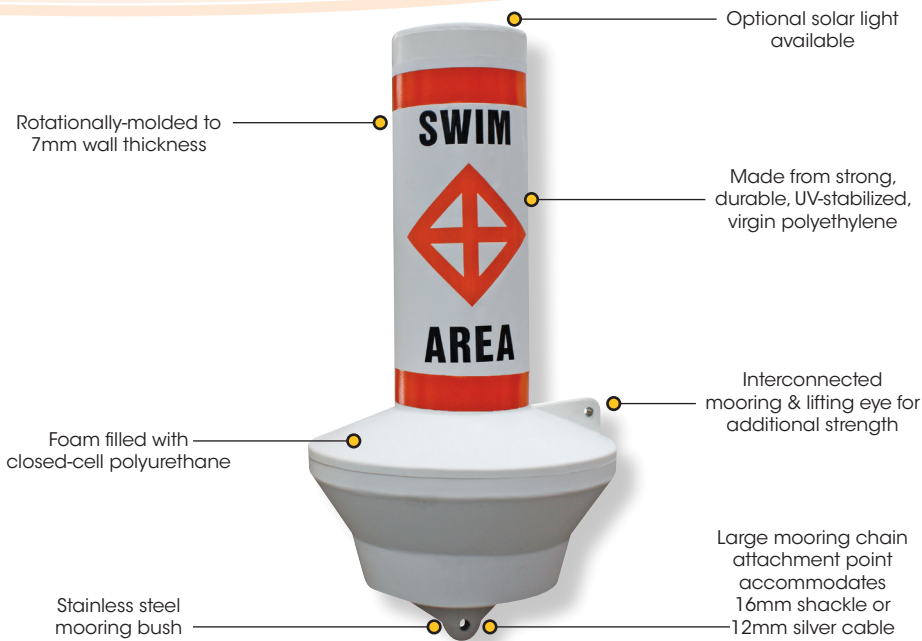


SLB700RB Regulatory Style

700mm dia. Marker Buoy

Sealite have a range of mooring chains & accessories - ask your representative today how we can supply your complete mooring solution



The Sealite Advantage

- Meets USA Federal, State & Local regulations for regulatory buoys
- High visibility orange, red, green, white or yellow as per IALA recommendations
- Range of mooring equipment & chain available
- Excellent buoyancy & stability
- Replaceable vinyl buoy wraps or mold-in graphics to suit customer requirements

The SLB700RB Regulatory Style Buoy meets USA Federal, State and Local requirements for regulatory buoys, and is ideal for regulatory signage and for marking hazards, mooring fields and channels in in-land lakes and rivers, as well as coastal harbors.

This model is extremely long-lasting, and is molded in strong, durable, UV-stabilized polyethylene. A large mooring chain attachment point accommodates a 16mm shackle or 12mm silver rope.

The SLB700RB Regulatory Style Buoy incorporates an interconnected mooring and lifting eye for additional strength and flexibility in installation. The top section has 3 threaded studs, molded into the buoy to enable easy mounting of either the SL15, SL60 or SL70 1-3nm+ solar lights.

Vinyl buoy wraps constructed of heavy, 10 oz. vinyl, have standard regulatory symbols and wording and are highly customizable. Attachment is straightforward, with self-sealing rivets (standard) or Velcro® for temporary or emergency applications. Sealite also provide the option of customized graphics which are permanently molded into the product at the time of manufacture and will hold up under the most extreme environments and never peel off or fade over time.

The SLB700 is used extensively throughout North America by Federal, State, and Local authorities as well as Private Organizations.

Optional Mold-in Graphics Available



Environmentally Friendly & Recyclable

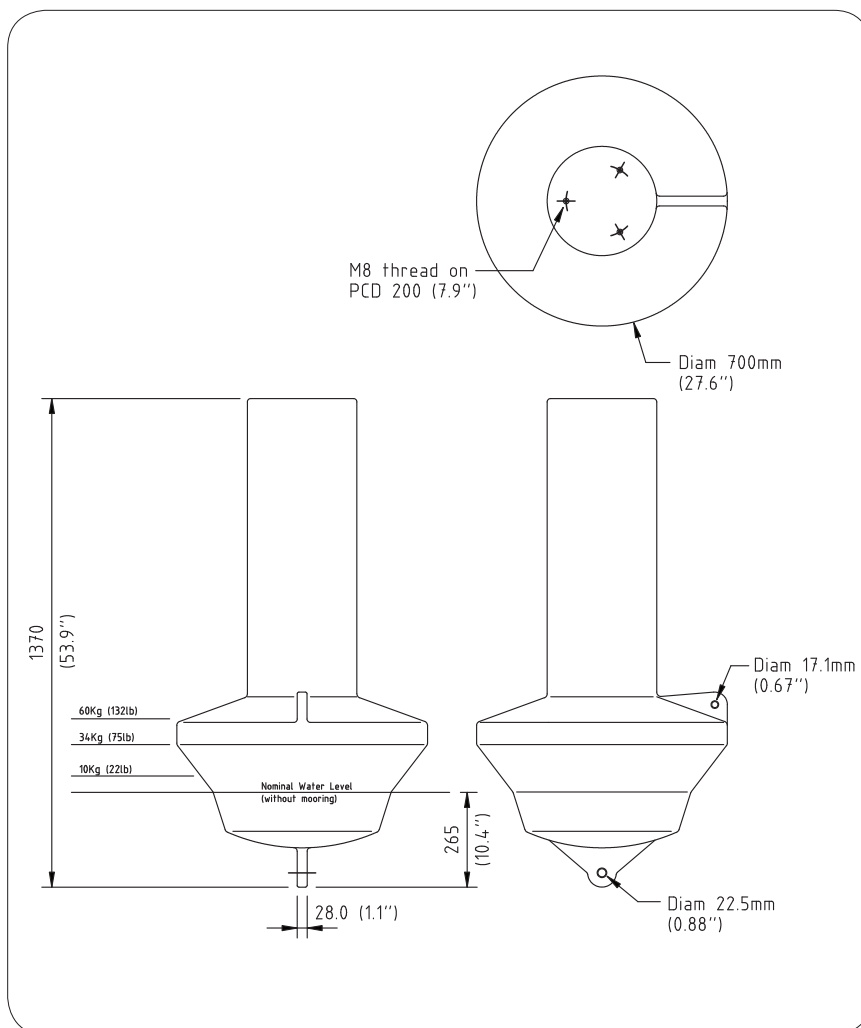
Sealite buoy products are made from recyclable materials. As a service to customers, individual components and products at the end of their service life may be returned to Sealite for recycling.

Available Configurations

- Regulatory buoy. Orange/white
- Hazard buoy. Orange
- Channel markers. Red or green
- Special purpose marks. Yellow



SLB700RB Regulatory Style 700mm dia. Marker Buoy



SPECIFICATIONS •

General Characteristics

Available Colors	Orange, Red, Green, White, Yellow as per IALA Recommendations
Focal Plane Height (mm/inches)	1155 / 45 1/2
Total Float Volume (ltrs/US gallon)	197 / 52
Nominal Freeboard (mm/inches)	408 / 16
Nominal Draft (mm/inches)	223 / 8 3/4
Reserve Buoyancy (kgs/lbs)	60 / 132
Maximum Mooring Load (kgs/lbs)	60 / 132
Draft, Maximum (mm/inches)	470 / 18 1/2
Freeboard, Minimum (mm/inches)	160 / 6 1/4
Submergence (kg/cm, lb/inches)	3.8 / 21.6

Physical Characteristics

Material	Rotationally-molded UV-stabilized virgin polyethylene,
Wall Thickness (mm/inches)	7 / 1/4
Ballast (kg/lbs)	20 / 44 internal concrete
Filling	Closed-cell polyurethane foam
Height (mm/inches)	1370 / 53 7/8
Width (mm/inches)	700 / 27 1/2
Mass (kg/lbs)	38 / 84
Product Life Expectancy	Up to 12 years

Certifications

Quality Assurance	ISO9001:2008
-------------------	--------------

Intellectual Property

Trademarks	SEALITE® is a registered trademark of Sealite Pty Ltd
	1 year

Warranty *

Lantern Options	Sealite SL15, SL60 or SL70 lantern
Options Available	• Mold-in graphics • Vinyl wraps



* Specifications subject to change or variation without notice
* Subject to standard terms and conditions