

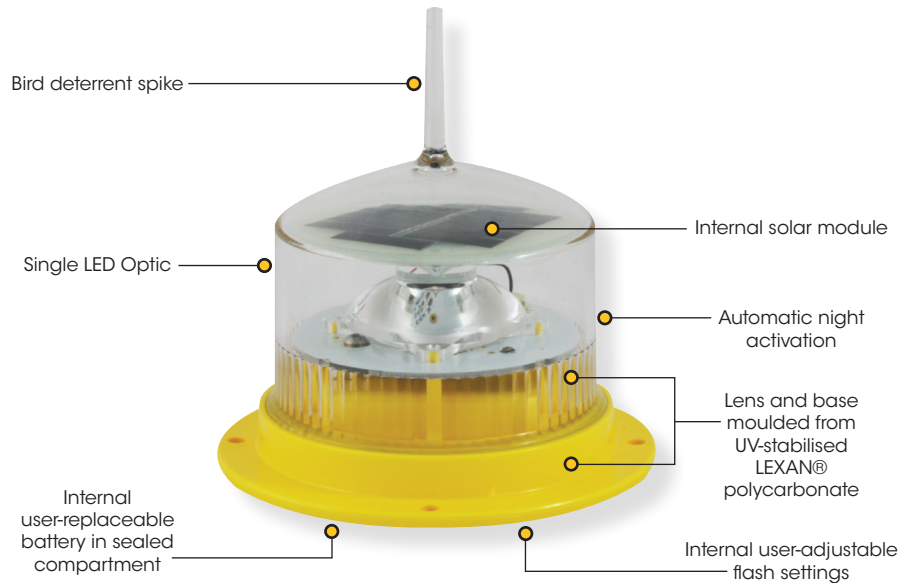
SL-15

1-2nm+ Solar Marine Lantern

This equipment complies with requirements of the U.S. Coast Guard in 33 CFR part 66

**Next
Generation**

Single LED Optic ...
Brighter, more efficient



The Sealite Advantage

- User-adjustable flash characters
- User-replaceable battery in sealed battery compartment
- NiMH battery for long service life & wide temperature range
- Completely sealed & self-contained using advanced UV-sealing
- Installs in minutes & operates maintenance-free for up to five years
- IP68 waterproof

The Sealite SL-15 1-2nm+ compact LED light is exceptional value and incorporates some of the most advanced technology available. In the tradition of Sealite lanterns, the SL-15 is designed to be maintenance-free and have a service life of over 5 years.

The SL-15 can be installed in minutes and requires no operator intervention. The SL-15 has a rotary switch to allow users to change the flash character of the light without the need for special tools or programmers.

During daylight hours the solar module will charge the battery, and the lantern will automatically begin operation at dusk – once the ambient light threshold drops sufficiently.

The SL-15 features Sealite's Single LED Optic which boasts exceptional power to light output efficiency. The tough outer polycarbonate lens incorporates an environment-friendly spike – deterring unwelcome bird life.

The internally housed battery is user-replaceable after years of reliable service.

The unit is sealed using advanced UV-sealing, enabling a rugged and completely waterproof seal capable of prolonged and deep immersion (IP68).

Optional ON/OFF Switch

The SL-15 is also available with an optional ON/OFF switch for temporary installations such as worksites.

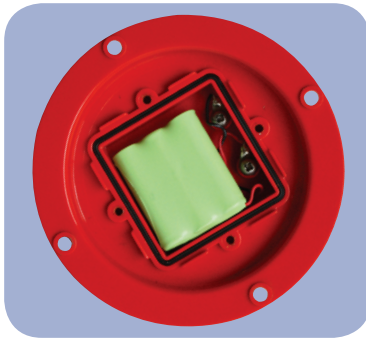


Available from:
Spilldam Environmental, Inc
89 North Montello St
Brockton MA 02301

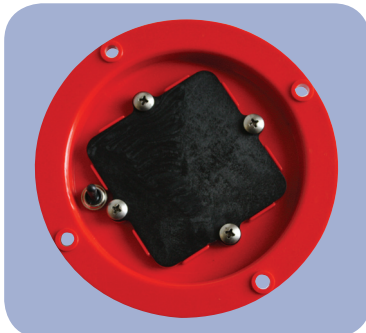
P: 508-583-7850 F: 508-583-7850
www.spilldam.com

SL-15

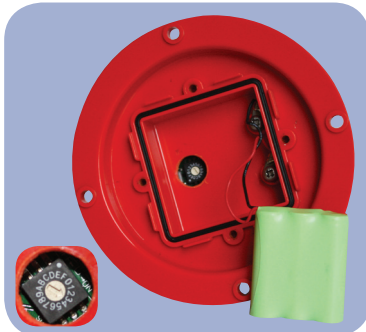
1-2nm+ Solar Marine Lantern



User-replaceable battery



SL-15 with optional ON/OFF switch

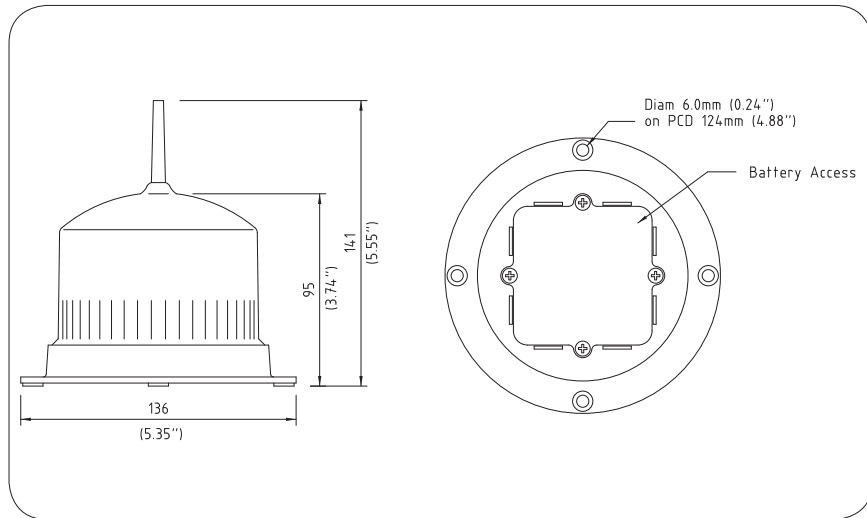


Flash characteristic is selected via internal rotary switch located in the battery compartment

User-Adjustable IALA Flash Characteristics

FLASH SETTING CODE	Flash Sequence (on, off, on...)
0	STEADY LIGHT (intensity reduced)
1	0.5, 1.0
2	0.5, 3.5
3	1.0, 3.0
4	0.5, 5.5
5	0.3, 0.7
6	0.3, 0.7 0.3, 0.7, 0.3, 0.7, 0.3, 15.7
7	0.3, 1.7
8	0.3, 2.2
9	0.5, 2.0
A	0.3, 2.7
B	0.5, 2.5
C	0.7, 2.3
D	0.5, 4.5
E	1.0, 4.0
F	Custom Setting

Other flash patterns are available on request



SPECIFICATIONS* SL-15

Light Characteristics

Light Source	1 LED
Available Colours	Red, Green, White, Yellow, Blue
Typical Maximum Intensity (cd)†	Red - 6.2 Green - 7.6 White - 6.8 Yellow - 5.9
Visible Range (nm)	1+
Horizontal Output (degrees)	360
Vertical Divergence (degrees)	7
Reflector Type	Single LED Optic
Available Flash Characteristics	16 user-adjustable IALA flash characteristics (other flash patterns available on request)
Intensity Adjustments	32 automatic step-down settings based on power demand of flash code selection
LED Life Expectancy (hours)	>100,000

Electrical Characteristics

Current Draw (mA)	Refer to Sealite Power Calculator
Circuit Protection	Integrated
Nominal Voltage (V)	3.6
Autonomy (days)	>50 (14 hour darkness, 12.5% duty cycle)
Temperature Range	-40 to 80°C

Solar Characteristics

Solar Module Type	Multicrystalline
Output (watts)	0.45

Power Supply

Battery Type	High grade NiMH
Battery Capacity (Ah)	1.6
Nominal Voltage (V)	3.6
Battery Service Life	Average 5 years

Physical Characteristics

Body Material	LEXAN® Polycarbonate - UV-stabilised
Lens Material	LEXAN® Polycarbonate - UV-stabilised
Lens Diameter (mm/inches)	98 / 3 7/8
Lens Design	Single LED Optic
Mounting	4 x 6mm mounting holes
Height (mm/inches)	141 / 5 1/2
Width (mm/inches)	136 / 5 3/8
Mass (kg/lbs)	0.5 / 1 1/8
Product Life Expectancy	Up to 12 years

Certifications

CE	EN61000-6-3:1997, EN61000-6-1:1997
Quality Assurance	ISO9001:2008
Waterproof	IP68

Intellectual Property

Patents	US Pat. No. 6,667,582, AU Pat. No. 778,918
Trademarks	SEALITE® is a registered trademark of Sealite Pty Ltd
Warranty *	3 years

Options Available

- ON/OFF switch
- Custom flash patterns
- 50mm pole mount adapter plate



- * Specifications subject to change or variation without notice
- * Subject to standard terms and conditions
- † Intensity setting subject to solar availability